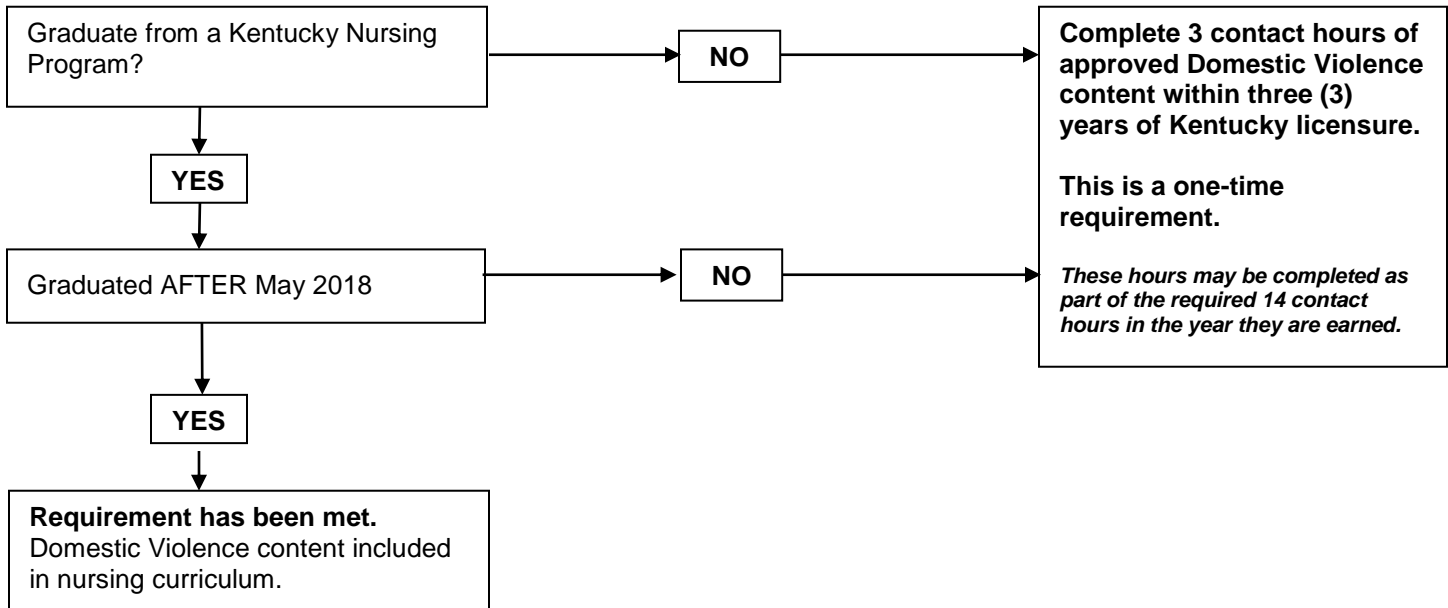


Kentucky Board of Nursing – Mandatory CE Requirements

All nurses are required to complete continuing education requirements pursuant to 201 KAR 20:215. The following algorithm has been created to assist nurses in determining their mandatory continuing education requirements relating to Domestic Violence and Pediatric Abusive Head Trauma.

DOMESTIC VIOLENCE



PEDIATRIC ABUSIVE HEAD TRAUMA

